

BVO308F

700TVL Vandal Proof IR Dome Camera

Product Overview

Bavono BVO308F Vandal Proof IR Dome Camera utilizes Sony Super HAD II CCD image sensor and cutting edge Digital Signal Processing (DSP) technology to deliver a high resolution of 700TV Lines. It contains 30 built-in high-brightness infrared LEDs with an effective range of up to 20 meters. This state-of-the-art camera features built-in OSD, Ingress Protection rating of IP65, and a vandal proof metal exterior to provide protection against violent and abusive behavior, suitable for use in settings that require a high level of security such as banks, jewelers, casinos, petrol stations, transit stations and prisons.

Infrared Technology

A human eye can only detect wavelengths within the visible spectrum, which is only a small portion of the electromagnetic spectrum. Visible colors ranging from the longest to shortest are red, orange, yellow, green, blue, and violet. Colors with a longer wavelength than red are known as infrared radiation, and colors with a shorter wavelength than violet are known as ultraviolet radiation. Infrared bounces off objects in darkness and enters a special lens which is then generated into an image. This enables images to be captured in dark settings where the surroundings are not visible to humans.

Digital Noise Reduction

DSP (Digital Signal Processing) cameras utilize special digital noise reduction algorithms to significantly eliminate signal disturbances and color noise. As a result, motion trails are minimized to deliver high quality images.

Privacy Masking

The Privacy Masking function allows users to block out designated areas where video surveillance is not desirable.

Electronic Shutter

Electronic Shutter ensures clarity of objects in high speed motion. Shutter speed is directly proportional to image quality.

Features

- ▶ 1/3" Sony Super HAD CCD II
- ▶ More than 700TVL of Horizontal Resolution
- ▶ Minimum Illumination of 0.05 Lux at F1.2 and 0 Lux with IR On
- ▶ 30 IR LEDs
- ▶ IR LED effective range reaches up to 20m
- ▶ 4 Zones Privacy Masking Function
- ▶ Ingress Protection rating of IP65
- ▶ Digital Noise Reduction for Reducing HDD Capacity
- ▶ Power Supply: DC 12V
- ▶ Vandal Proof Metal Shell



1/3" SONY
Super HAD
CCD II

Image Sensor

700 TVL (Color)
800 TVL (B/W)

Resolution

0.05 Lux /
F1.2

Min. Illumination

15-20m

IR LED Range

OSD

Menu

Metal

Shell Material

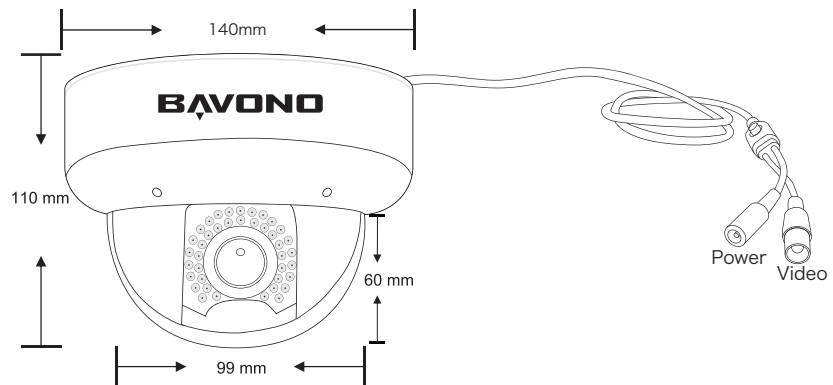
IP65

Ingress Protection

Specifications

Model	BVO308F
Video Standard	NTSC / PAL
Image Sensor	1/3" Sony Super-HAD II CCD
Total Picture Elements	811(H) X 508(V) / 795(H) X 596(V)
Effective Picture Elements	768(H) X 494(V) / 752(H) X 582(V)
Synchronizing System	Internal, AC Line Lock
Horizontal Resolution	Color: More than 700 TVL B/W: More than 800 TVL
Minimum Illumination	Color: 0.05 Lux@F1.2(50IRE) / 0.06 Lux(15IRE) B/W: 0.01Lux@F1.2(50IRE) / 0.006 Lux(15IRE)
IR LED	30 units
Effective IR Range	15-20m
Video S/N Ratio	52dB
OSD Language	Simplified Chinese / English / Japanese
Day / Night Mode	AUTO / COLOR / B/W / EXT
WER (Wide Extended Range)	OFF / LOW / MIDDLE / HIGH
ALC (Auto Level Control)	AI Lens (DC)
ELC (Electronic Level Control)	Off/On (~ 1/200Ksec)
High Speed Shutter	1/60(1/50) ~ 1/120K sec
Flickerless Mode	OFF / ON
Auto Gain Control (AGC)	Level Setting
Gamma	0.45 / 0.7 / 1.0
Digital Noise Reduction (DNR)	OFF / LOW / MIDDLE / HIGH (Adaptive 2D)
White Balance	ATW / AWC / Manual
Camera No. / ID	Off/On (Max. 256 NO, 8ea ID/1Line)
Motion Detection	4 Zones
Privacy Masking	4 Zones
Alarm Output	1 ea (Open Collector) - Optional
Remote Control	UART (Txd/RXd, 3.3Vp-p)
Lens	2.8-12mm
Protection Rating	IP65
Video Output	VBS 1.0V p-p (75ohm Terminated)
Power Requirement	DC12V \pm 10%
Power Consumption	Less than 1.5W
Operating Temperature	-10°C ~ +50°C
Operating Humidity	Less than 90%
Shell Material	Metal
Dimensions (mm)	140(Ø) × 110(H)
Gross Weight (g)	1130

Dimensions



BAVONO

<http://www.bavono.com>

© 2015 Bavono Security Group. All rights reserved.

DM#. G2240